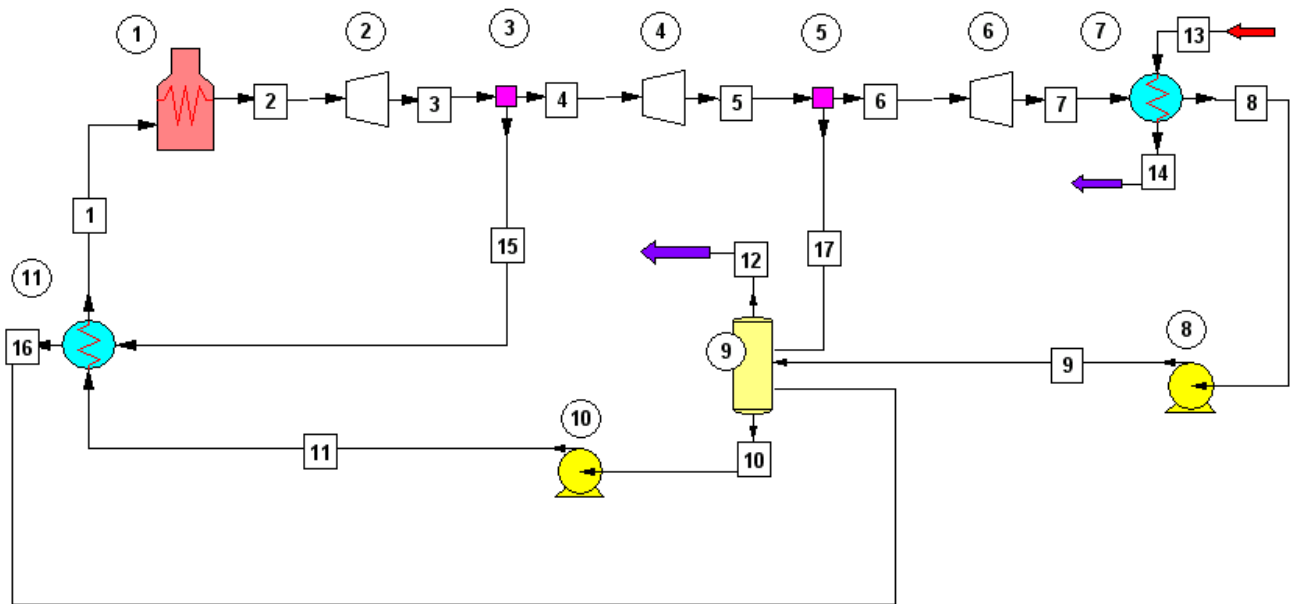


## Power Plant Steam Balance



### DESCRIPTION:

CHEMCAD 5 is an invaluable tool for balancing a power plant. In this example, general balance of a three-stage turbine power plant block was calculated. This block was aimed at electricity production. Special care was taken to balance the condensate tank. When water is the only component in the system, using the "Ideal Vapor pressure" thermo model makes CHEMCAD use digital steam tables, thus ensuring high accuracy of steam/water calculations.